



**ALLIED-LOCKE  
INDUSTRIES**

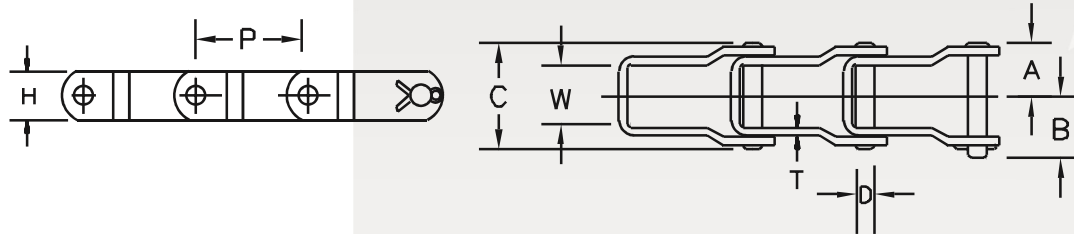
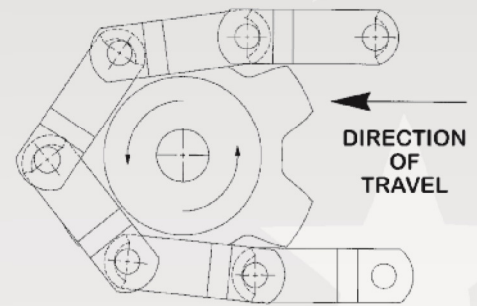
# STEEL PINTLE CHAIN

## Steel Pintle Chain



Allied-Locke Steel Pintle Chain is designed for dependability and quality, at a great price. The Allied-Locke Steel Pintle Chain is well suited for a wide range of applications, such as salt-sand-fertilizer spreaders, bunk feeders, hay handling equipment and other similar conveying systems.

Allied-Locke Steel Pintle Chains feature all heat treated parts with quad staked pins. The open barrel construction minimizes pin surface contact with the barrel, eliminating freezing due to corrosion. The open barrel design eliminates material build up in the roots of sprockets. This assures smoother operation, uniform link wear, greater resistance to fatigue and longer service life.



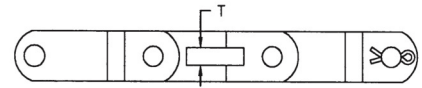
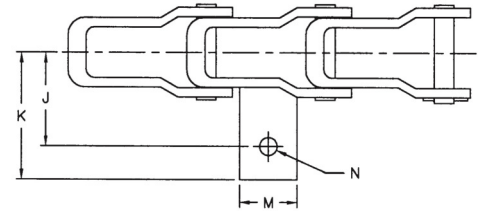
**Pintle Chain Also Available in Stainless Steel.**

Chain Size	Links Per 10'	Wt. Per 10'Lbs.	Min. Avg. Tensile Strength Lbs.	Pitch	Rivet Length	Inside Width	Pin Dia.	Height	Thickness	Connector Length	
				P	C	W	D	H	T	A	B
AL662	72	10.5	8,500	1.664	1.609	.906	.281	.719	.125	.797	.885
AL662H	72	16.5	9,500	1.664	1.828	.871	.312	.875	.172	.900	.940
AL667H	52	11.7	9,500	2.313	1.734	1.000	.312	.875	.125	.913	.937
AL667X	53	18.6	15,000	2.250	1.953	1.063	.437	.937	.172	1.007	1.150
AL667K	53	24.4	20,000	2.250	2.220	1.078	.437	1.062	.200	1.090	1.272
AL667XH	53	28.0	26,000	2.250	2.260	1.078	.468	1.062	.224	1.196	1.329
AL88C	46	33.6	30,000	2.609	2.595	1.250	.500	1.125	.250	1.353	1.523
AL88K	46	23.0	20,000	2.609	2.222	1.078	.437	1.062	.200	1.090	1.272
AL88XH	46	33.2	26,000	2.609	2.595	1.250	.500	1.125	.250	1.163	1.523
AL88W	46	38.0	30,000	2.609	2.599	1.250	.562	1.320	.250	1.352	1.513
AL308	40	57.0	50,000	3.075	2.625	1.310	.625	1.500	.310	1.500	1.730
AL58	30	55.0	50,000	4.000	3.359	2.031	.625	1.500	.310	1.870	2.090



# STEEL PINTLE CHAIN ATTACHMENTS

**ALLIED-LOCKE  
INDUSTRIES**



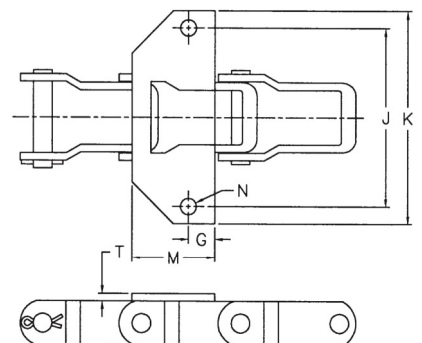
## AE, AS, AES, AC

Attachment	Chain No.	J	K	M	N	T
AS	AL662	1.375	1.891	.938	.266	.188
AS	AL667H	2.031	2.594	1.125	.328	.250
AS	AL667X	2.031	2.688	1.125	.328	.313
AS	AL667XH	2.031	2.750	1.250	.391	.375
AS	AL88K	2.031	2.750	1.250	.391	.375
AS	AL88XH	2.031	2.813	1.250	.391	.375
AES	AL662	1.375	1.891	.938	.406	.188
AES	AL667H	2.031	2.594	1.125	.391	.250
AES	AL667X	2.031	2.688	1.125	.391	.313
AES	AL667XH	2.031	2.750	1.125	.453	.375
AES	AL88XH	2.031	2.813	1.125	.453	.375
AE	AL667XH	2.031	2.750	1.250	.328	.375
AC	AL88XH	2.031	2.813	1.250	.500	.375



## AK1

Attachment	Chain No.	G	J	K	M	N	T
AK1	AL662	.438	2.938	3.500	1.375	.266	.125





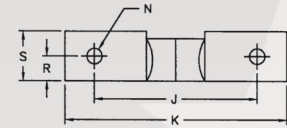
**ALLIED-LOCKE**  
**INDUSTRIES**

# STEEL PINTLE CHAIN ATTACHMENTS



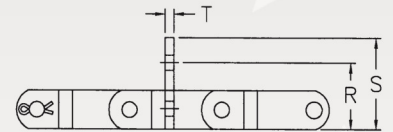
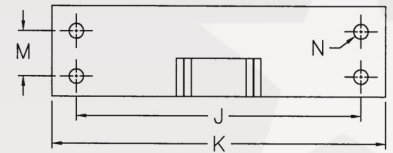
**FS5**

Att. No.	Chain No.	Dimensions					
		J	K	N	R	S	T
FS5	AL88K	4.125	5.625	.391	.625	1.250	.250



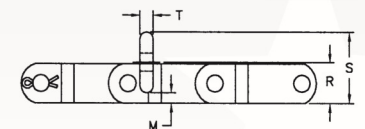
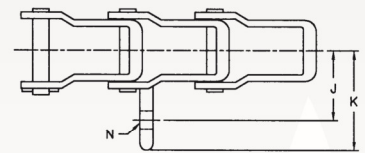
**F50**

Att. No.	Chain No.	Dimensions						
		J	K	M	N	R	S	T
F50	AL88XH	8.00	9.38	1.25	.410	1.25	1.81	.250



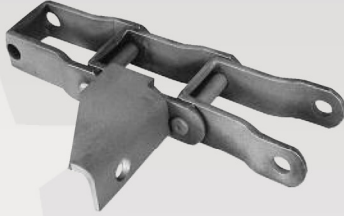
**G30S**

Att. No.	Chain No.	Dimensions					
		J	K	N	R	S	T
G30S	AL662	1.313	1.891	.344	.750	1.313	.250



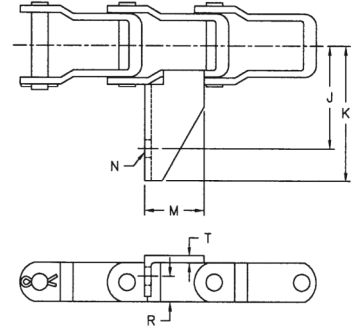
# STEEL PINTLE CHAIN ATTACHMENTS

**ALLIED-LOCKE  
INDUSTRIES**



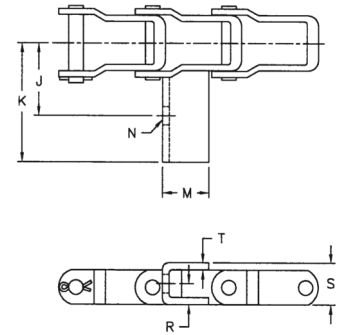
**G38**

Att. No.	Chain No.	Dimensions					
		J	K	M	N	R	T
G38	AL662	1.938	2.547	1.125	.328	.469	.125



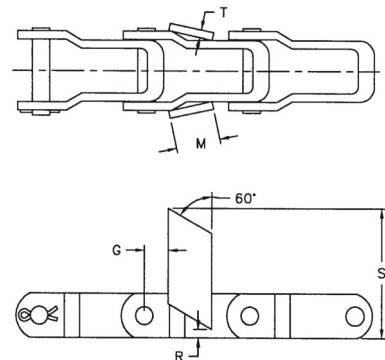
**G50, G50M**

Att. No.	Chain No.	Dimensions						
		J	K	M	N	R	S	T
G50	AL662	1.563	2.156	.910	.328	.438	.875	.148
G50	AL667X	1.563	2.281	.910	.328	.438	.875	.148
G50M	AL662	1.563	2.547	1.000	.390	.438	.875	.148
G50M	AL662H	1.805	2.547	.910	.390	.438	.875	.148
G50M	AL667H	1.984	2.593	1.000	.328	.438	.875	.148
G50M	AL667X	1.063	2.672	1.000	.390	.438	.875	.148



**HB4**

Att. No.	Chain No.	Dimensions				
		G	M	R	S	T
HB4	AL667X	.594	.750	.000	2.160	.188
	AL88K	.594	.750	.350	2.531	.188





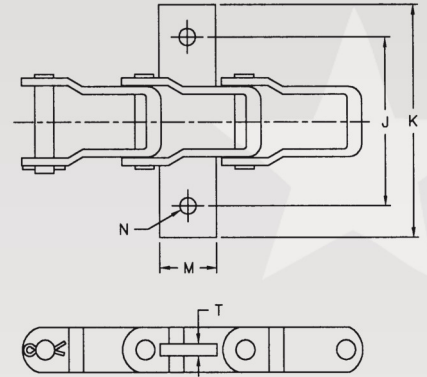
**ALLIED-LOCKE  
INDUSTRIES**

# STEEL PINTLE CHAIN ATTACHMENTS



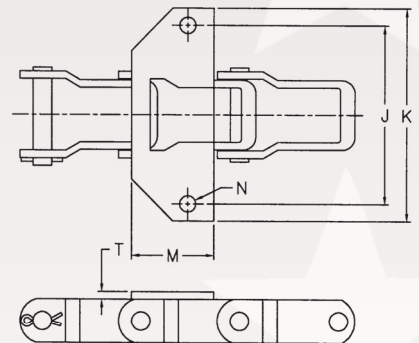
**KS**

Att. No.	Chain No.	Dimensions				
		J	K	M	N	T
KS	AL662	2.750	3.781	.938	.266	.188
KS	AL667H	4.063	5.188	1.125	.328	.250
KS	AL667X	4.063	5.375	1.125	.328	.313
KS	AL667XH	4.063	5.456	1.250	.391	.375
KS	AL88XH	4.063	5.750	1.250	.391	.375



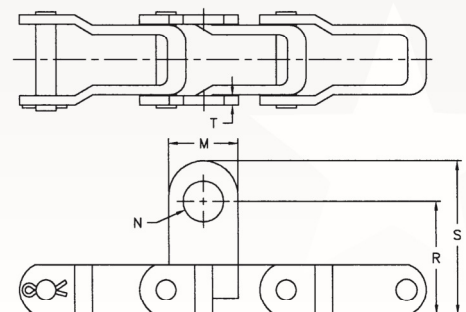
**K1**

Att. No.	Chain No.	Dimensions				
		J	K	M	N	T
K1	AL662	2.469	3.281	1.281	.266	.125
K1	AL667H	2.469	3.281	1.281	.266	.125
K1	AL667X	2.469	3.281	1.281	.266	.125
K1	AL667XH	2.469	3.281	1.281	.266	.125



**M2**

Att. No.	Chain No.	Dimensions				
		M	N	R	S	T
M2	AL88K	1.500	.875	2.406	3.281	.313



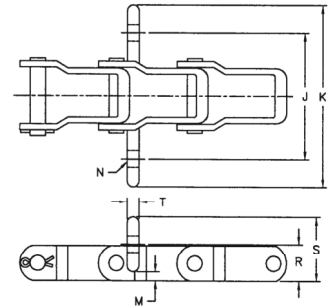
# STEEL PINTLE CHAIN ATTACHMENTS

**ALLIED-LOCKE  
INDUSTRIES**



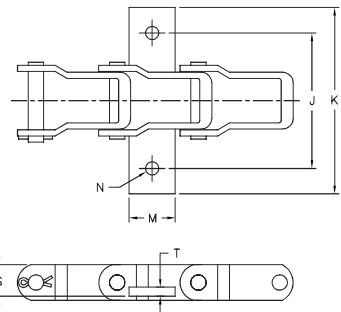
**KG30S**

Att. No.	Chain No.	Dimensions				
		J	K	M	N	T
KG30S	AL662	2.625	3.813	.188	.344	.250



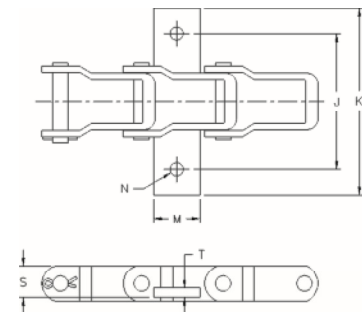
**K1S**

Att. No.	Chain No.	Dimensions					
		J	K	M	N	S	T
K1S	AL667XH	3.750	4.658	1.125	.375	.875	.250
K1S	AL88XH	3.750	4.762	1.125	.375	.995	.250



**KSB**

Att. No.	Chain No.	Dimensions					
		J	K	M	N	S	T
KSB	AL667X	4.063	5.375	1.125	.328	.891	.313
KSB	AL667XH	4.063	5.456	1.250	.391	.890	.375
KSB	AL88XH	4.063	5.750	1.250	.391	.948	.375



**SFE LINK**

Att. No.	Chain No.	Dimensions						
		E	J	K	N	R	S	T
SFE	AL667H	2.000	3.500	8.375	.328	1.250	2.219	.125

